

Specifications

Model	GTH™-4014	
Measurements	Metric	Imperial
Lifting height maximum with outriggers	13.57 m	44 ft 6 in
Lifting height maximum without outriggers	13.38 m	43 ft 11 in
Lifting capacity maximum	4,000 kg	8,818 lbs
Lift capacity at maximum height	3,000 kg	6,614 lbs
Lift capacity at maximum reach	1,000 kg	2,204 lbs
Forward reach maximum	9.08 m	29 ft 9 in
Reach at maximum height on wheels	0.48 m	1 ft 7 in
A Height	2.40 m	7 ft 10 in
B Height at steering wheel	1.56 m	5 ft 2 in
C Width	2.32 m	7 ft 7 in
D Cab width	0.93 m	3 ft
E Track	1.92 m	6 ft 4 in
F Wheelbase	2.95 m	9 ft 8 in
G Length at front wheels	4.79 m	15 ft 9 in
H Length at fork-holder plate	6.06 m	19 ft 11 in
I Ground clearance	0.30 m	1 ft
J Overall width, outriggers extended	2.87 m	9 ft 5 in
L Overall length	7.26 m	23 ft 10 in
M Obstruction angle		40°
N Departure angle		46°

Productivity

Inside/outside turning radius	1.87 m/3.55 m	6 ft 2 in/11 ft 8 in
Break-out force*	6,000 kg	13,228 lbs
Towing capacity at dynamometer**	7,274 kg	16,036 lbs
Drive speed max.	26 km/h	16 mph
Fork-holder plate rotation		138°
Chassis levelling on front axle		+/- 6°
Tyres (DIN 70361)	405/70 20" PR14 8 holes wheel disc	
Lifting/lowering speed**		13 sec./8 sec.
Extension/retraction speed**		19 sec./15 sec.

Power

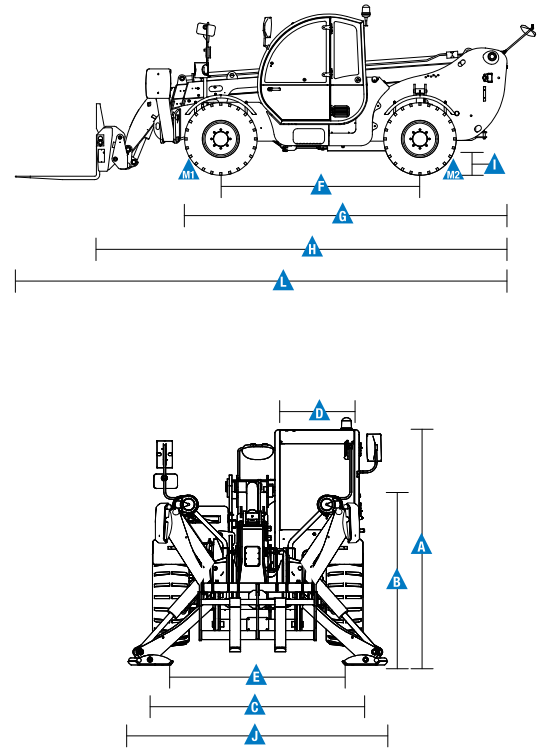
Engine	Perkins 854E-E34TA turbo diesel 75 kW (100 hp), stage IIIB Perkins 1104D-E44T turbo diesel 75 kW (100 hp), stage IIIA	
Transmission	Hydrostatic variable displacement pump linked to variable displacement motor. Both piston type.	
Service pumps	Boom & Control system gear pump type: 280 Bar, 99L/min. Service Brake gear pump type: 200 Bar, 46 L/min.	
Petrol tank capacities	170 L	45 gal
Engine oil capacities	8 L	2.1 gal
Hydraulic oil tank capacities	112 L	29.6 gal

Weight*** 10,225 kg 22,542 lbs

Standards Compliance

EU Machinery Directive 2006/42/EC
Operating cab conforms to ISO3471 (ROPS) and ISO3449 (FOPS)
Low emission engine conforms to EU Directive 97/68/EC Stage III and 2004/26/EC
Noise emission conforms to EU Directive 2000/14/EC (LpA=83 dB, LwA=103dB)
Vibration levels according to EN13059:2002 (hand-arm <2.5m/s², whole body 0.23m/s²)

Measurements



* With 800 L shovel SAE J 732/80

** Without load

*** Weight will vary depending on options and/or country standards