

TECHNICAL DATA

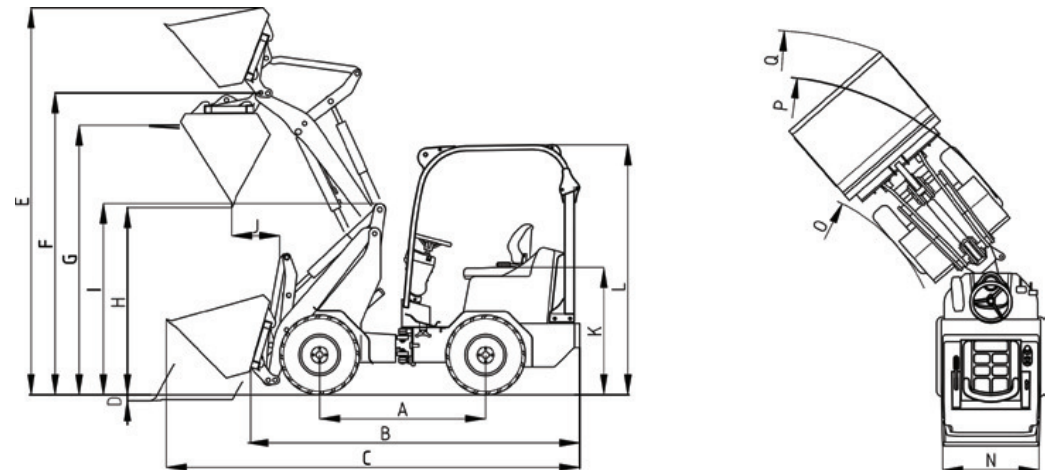
DIMENSIONS

	2428	2430	2445 S
Engine	3-cyl. diesel engine Kubota D1105, 18.5 kW (25 HP)	3-cyl. diesel engine Kubota D1703-M-Di, 18.5 kW (25 HP)	3-cyl. diesel engine Kubota D1803-CR-T, 37 kW (50 HP)
Exhaust gas treatment / emission level	- / V		DOC, DPF / V
Traction hydraulics	Hydrostatic-automotive	Hydrostatic automotive, HTF (High Traction Force)	
Tyres	27x8.50-15 SKD Option I 27x10.5-15 Option II 26x12.00-12	10.0/75 - 15.3 MPT/SKD/AS Option I 27x10.5-15 Option II 31x15.5-15	10.0/75 - 15.3 MPT / SKD / AS Option I 31x15.5-15
Service braking system	Hydrostatic and mechanical drum brake	Combined brake hydrostatic and multi-disc brake	
Parking brake	Mechanical drum brake	Multi-disc brake running in oil bath	
Working hydraulics Output/pressure	Delivery rate: from 33 l/min Operating pressure: 200 bar	Delivery rate: 42 l/min Operating pressure: 200 bar	Delivery rate: 51 l/min Operating pressure: 200 bar
Steering	Fully hydraulic articulated/ swivel steering		
Operating weight	1,820 kg	2,200 kg 2,400 kg with cab	2,500 kg 2,700 kg with cab
Lifting capacity	1,700 kg	1,900 kg	1,900 kg
Tipping load, straight ¹			
Pallet fork	1,046 - 1,222 kg	1,272 - 1,521 kg	1,825 - 2,035 kg
Bucket	1,218 - 1,354 kg	1,530 - 1,740 kg	1,905 - 2,250 kg
Tipping load, articulated ¹			
Pallet fork	850 kg	900 kg	1,285 kg
Bucket	1,020 kg	1,180 kg	1,575 kg
Payload			
Pallet fork, even ground ²	680 kg	720 kg	1,028 kg
Pallet fork, uneven ground ²	510 kg	540 kg	771 kg
Bucket ³	510 kg	590 kg	788 kg
Axles	Original Schäffer axles, 5-hole rim	Original Schäffer axles, 6-hole rim	Original Schäffer axles, 6-hole rim; Option: automatic slip-control differential
Speed	0 - 15 km/h	0 - 20 km/h	0 - 20 km/h in 2 gears switchable under load Option: 0 - 28 km/h
Electric system	Operating voltage: 12 V		
Fill quantities	Fuel: 23 l Hydraulic oil: 30 l	Fuel: 40 l Hydraulic oil: 30 l	Fuel: 50 l Hydraulic oil: 48 l
Specific gravity of material	1.6 t/m ³	1.6 t/m ³	1.6 t/m ³
Bucket capacity ⁴	0.32 m ³	0.42 m ³	0.50 m ³
Recommended bucket width	0.8 m	1.1 m	1.4 m
Sound pressure level LpA	84 dB(A)	85 dB(A)	82 dB(A)
Sound power level guaranteed LWA equivalent LWA	101 dB (A) 98 dB (A)	101 dB (A) 101 dB (A)	101 dB (A) 98 dB (A)
Hand/arm vibration ⁵	< 2.5 m/s ²	< 2.5 m/s ²	< 2.5 m/s ²
Total body vibration ⁵	< 0.5 m/s ²	< 0.5 m/s ²	< 0.5 m/s ²

¹ according to ISO 8313 ² according to EN 474-3 ³ according to ISO 14397-1 ⁴ according to ISO 7546 ⁵ according to ISO 8041

Tyre dimensions and additional equipment can change the operating weight, tipping load and bucket capacity.

	2428	2430	2445 S	
A	Wheelbase [mm]	1,500	1,645	1,880
B	Chassis length [mm]	3,000	3,140	3,445
C	Overall length with standard bucket [mm]	3,750	3,830	4,185
D	Digging depth [mm]	110	105	105
E	Max. working height [mm]	2,960	3,230	3,230
F	Max. bucket pivot point. [mm]	2,300	2,500	2,500
G	Loading height with pallet forks [mm]	2,150	2,150	2,360
H	Max. dumping height [mm]	1,450	1,700	1,700
I	Front end height [mm]	1,360	1,490	1,490
J	Dumping width [mm]	470	260	260
K	Seat height [mm]	1,055	1,190	1,160
L	Overhead guard height [mm] Cab height [mm]	2,090 -	2,220 2,150	2,270 2,230
N	Overall width [mm]	940 - 1,250	1,020 - 1,300	1,100 - 1,520
O	Inner turning radius [mm]	760	960	1,200
P	Outer turning radius [mm]	1,800	2,020	2,120
Q	Outer radius with standard bucket [mm]	2,190	2,310	2,500



TECHNICAL DATA

DIMENSIONS

	2428 SLT	2430 SLT
Engine	3-cyl. diesel engine Kubota D1105, 18.5 kW (25 HP)	3-cyl. diesel engine Kubota D1703-M-Di, 18.5 kW (25 HP)
Exhaust gas treatment / emission level	- / V	
Traction hydraulics	Hydrostatic-automotive	Hydrostatic automotive, HTF (High Traction Force)
Tyres	27x8.50-15 SKD Option I 27x10.5-15 Option II 26x12.00-12	10.0/75 - 15.3 MPT / SKD / AS Option I 27x10.5-15 Option II 31x15.5-15
Service braking system	Hydrostatic and mechanical drum brake	Combined brake hydrostatic and multi-disc brake
Parking brake	Mechanical drum brake	Multi-disc brake running in oil bath
Working hydraulics Output/pressure	Delivery rate: from 33 l/min Operating pressure: 200 bar	Delivery rate: 42 l/min Operating pressure: 200 bar
Steering	Fully hydraulic articulated/swivel steering	
Operating weight	1,860 kg 1,960 kg with cab	2,480 kg 2,555 kg with cab
Lifting capacity	1,700 kg	1,900 kg
Tipping load, straight ¹		
Pallet fork	1,185 - 1,311 kg	1,733 - 1,954 kg
Bucket	1,550 - 1,663 kg	1,820 - 2,135 kg
Tipping load, articulated ¹		
Pallet fork	880 kg	1,325 kg
Bucket	1,170 kg	1,550 kg
Payload		
Pallet fork, even ground ²	704 kg	1,160 kg
Pallet fork, uneven ground ²	528 kg	795 kg
Bucket ³	585 kg	775 kg
Axles	Original Schäffer axles, 5-hole rim	Original Schäffer axles, 6-hole rim; Option: automatic slip-control differential
Speed	0 - 15 km/h	0 - 20 km/h
Electric system	Operating voltage: 12 V	
Fill quantities	Fuel: 23 l Hydraulic oil: 30 l	Fuel: 40 l Hydraulic oil: 30 l
Specific gravity of material	1.6 t/m ³	1.6 t/m ³
Bucket capacity ⁴	0.37 m ³	0.50 m ³
Recommended bucket width	1.0 m	1.3 m
Sound pressure level LpA	83 dB(A)	85 dB(A)
Sound power level guaranteed LWA equivalent LWA	101 dB (A) 98 dB (A)	101 dB (A) 101 dB (A)
Hand/arm vibration ⁵	< 2.5 m/s ²	< 2.5 m/s ²
Total body vibration ⁵	< 0.5 m/s ²	< 0.5 m/s ²

¹ according to ISO 8313 ² according to EN 474-3 ³ according to ISO 14397-1 ⁴ according to ISO 7546 ⁵ according to ISO 8841

Tyre dimensions and additional equipment can change the operating weight, tipping load and bucket capacity.

		2428 SLT	2430 SLT
A	Wheelbase [mm]	1,700	1,815
B	Chassis length [mm]	3,200	3,400
C	Overall length with standard bucket [mm]	3,950	4,200
D	Digging depth [mm]	110	105
E	Max. working height [mm]	2,960	3,230
F	Max. bucket pivot point. [mm]	2,300	2,500
G	Loading height with pallet forks [mm]	2,150	2,360
H	Max. dumping height [mm]	1,450	1,700
I	Front end height [mm]	1,360	1,480
J	Dumping width [mm]	470	260
K	Seat height [mm]	910	995
L	Overhead guard height [mm] Cab height [mm]	from 1,890 from 1,890	from 1,950 from 1,950
N	Overall width [mm]	940 - 1,250	1,020 - 1,300
O	Inner turning radius [mm]	850	1,050
P	Outer turning radius [mm]	1,900	2,170
Q	Outer radius with standard bucket [mm]	2,510	2,550

